



# REMOTE CONTROL SYSTEM

buy the original and buy the best™



## switchem™



### VISELE

Seven Function Controller for Fan and Light

FX  
MODEL



### OVALO

Seven Function Controller for Fan and Light

BX  
MODEL



### PILAR

Seven Function Controller for Fan and Light

SX  
MODEL

Switchem is a new, innovative range of integrated ceiling fan remote controls developed by Hunter Pacific International.

Always proud to break new ground, the Hunter Pacific Switchem receiver is the first ceiling fan remote control system that allows the choice of different handpieces to be used.

Switchem Designer handpieces elegantly combine functionality and style. From the easy to use buttons on the Ovalo to the modern clean lines of the Pilar, Switchem perfectly complements Hunter Pacific's range of premium ceiling fans.

#### IMPORTANT NOTE:

The handpieces in the Switchem range work exclusively with the Switchem receiver. Receivers must be purchased separately.

#### HANDSET FUNCTIONS

##### Fan Control:

1. On/Fan Speed (High/ Med/Low)
2. Off (Stop)

##### Light Control:

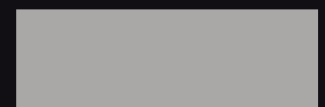
1. On/ Off
2. Light Intensity (brighter/dimmer)

##### Battery Level:

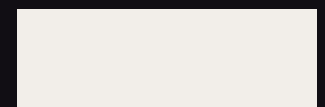
1. High to Low (Visele only)

#### AVAILABLE IN TWO CLASSIC COLOURS:

TO PERFECTLY SUIT THE DECOR OF ANY HOME OR OFFICE.



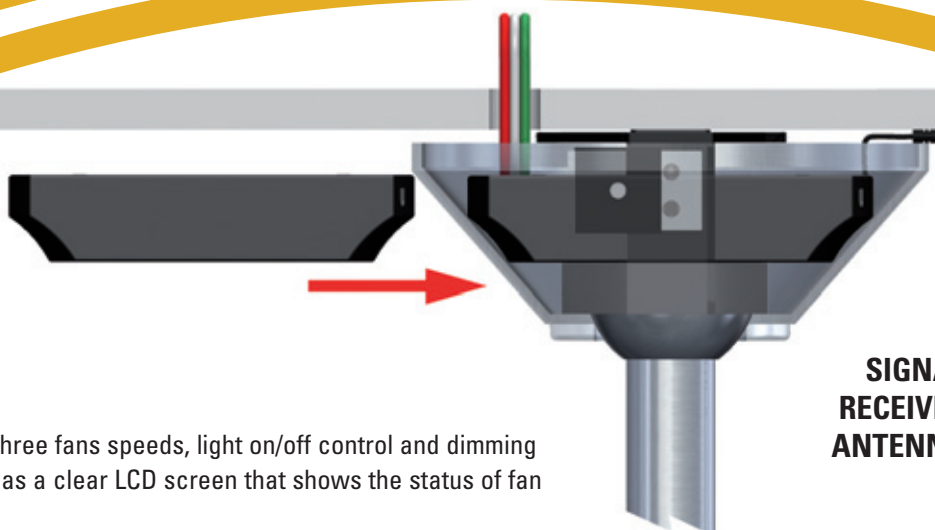
GUNMETAL SILVER



SNOWGUM WHITE

[www.hunterpacific.com.au](http://www.hunterpacific.com.au)

RECEIVER UNIT IS  
FITTED INTO FAN  
HOUSING



SIGNAL  
RECEIVER  
ANTENNA

Each Switchem handpiece supports three fans speeds, light on/off control and dimming for incandescent lamps. The Visele has a clear LCD screen that shows the status of fan speed setting and lighting level.

The Switchem receiver is compatible with most ceiling fans that use induction motors and capacitor speed control. The light control circuit will operate with incandescent lamps and leading edge dimmable fluorescent lamps.

## SWITCHEM REMOTE CONTROL SYSTEM *Specifications:*

### RECEIVER:

<b>Power Supply:</b>	230-240V AC 50Hz AC (only)
<b>Input Current:</b>	2A RMS (internal fuse protection)
<b>Fan Output:</b>	120W Maximum (induction motors only)
<b>Speed Control:</b>	Thyristor switched 2.0uF + 2.0uF (internal capacitors)
<b>Light Output:</b>	180W Maximum
<b>Light Control:</b>	Leading edge dimmer
<b>Size:</b>	110mm x 58mm x 32mm
<b>RF Frequency (rx):</b>	433.1 to 433.6 MHz
<b>No of codes:</b>	16

### HANDPIECE:

<b>Power Supply:</b>	9V DC (FX) or 12V DC (SX, BX) (alkaline dry cell batteries)
<b>RF Frequency:</b>	433.1 to 433.6 MHz
<b>RF Output:</b>	< 1 mW EIRP (ASK)
<b>Operating Range:</b>	10-20 metres (ideal conditions)
<b>Battery Life:</b>	6 months (approximate)
<b>No of codes:</b>	16

UHF SIGNAL  
FROM  
HANDPIECE



REMOTE  
HANDPIECE

**switchem**  
REMOTE CONTROL SYSTEM

DISTRIBUTED BY: